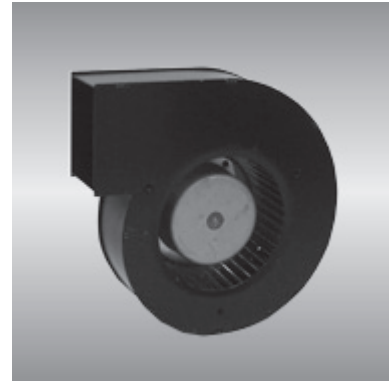


150 BG series

x138x58mm



General Specifications

- Motor : 4 Poles brushless DC motor
- Frame & Impeller : Metal
- Storage temperature : -40° to +75°
- Operating temperature : -10° to +70°

Major Characteristic Parameters

Model	Bearing System	Rated Voltage	Operating Voltage Range	Rated Current	Rated Speed	Maximum Air Flow		Maximum Static Pressure		Sound Level	Weight
Part NO.	B / S / F	V	V	A	RPM	m ³ /min	CFM	mm-H ₂ O	In-H ₂ O	dBA	g
BGE17569_12M	B	12	7.0~13.2	1.30	2200	1.50	53.8	14.7	0.57	35.0	700
BGE17569_24M	B	24	14.0~26.4	0.65	2200	1.50	53.8	14.7	0.57	35.0	700
BGE17569_48M	B	48	28.0~56.0	0.48	2200	1.50	53.8	14.7	0.57	35.0	700
BGE17569_12H	B	12	7.0~13.2	1.75	2800	1.83	65.0	33.0	1.30	42.0	700
BGE17569_24H	B	24	14.0~26.4	1.15	2800	1.83	65.0	33.0	1.30	42.0	700
BGE17569_48H	B	48	28.0~56.0	0.55	2800	1.83	65.0	33.0	1.30	42.0	700

*Bearing system B: Two Ball Bearing F: Fluid Bearing S: Sleeve Bearing

